

GESR4670 Soft Close Full Extension Slide

Max load 35kg · Soft close · Holds closed · Detachable

Features

- Full extension (3 members)
- Soft-closes at 20 mm distance from closed position (slide length 350 mm or below) or 36 mm distance from closed position (slide length 400 mm or above)
- With self and soft closing mechanism built-in, possible to install as with conventional slides
- Maximum width of the drawer is the slide length + 200 mm
- Drawer / compartment is detachable by lifting the lever

Recommended Screws

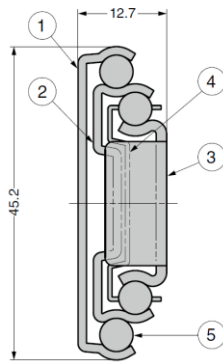
- For metal: M4 screw (except for countersunk head)
- For wood: M4 tapping screw (except for countersunk head)



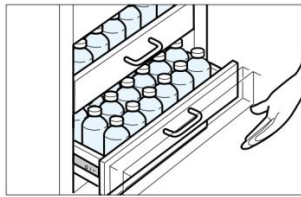
Notes

- Some parts of this product are made of plastic
- Do not push with a strong force when soft-closing mechanism is operating. Otherwise, it may cause oil leakage.

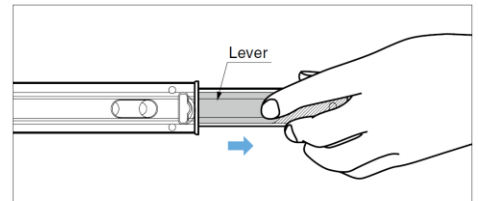
● Slide cross section S=1/1



Self and Soft Closing

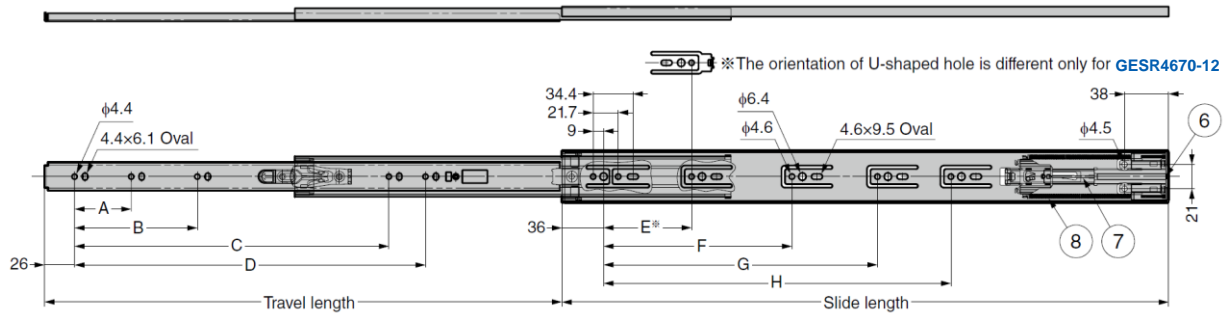


Easy to Detach



The drawer can be detached by pulling the lever in the direction of the arrow.

No.	Part Name	Material
①	Outer Member	Stainless Steel (SUS304)
②	Intermediate Member	
③	Inner Member	
④	Retainer	
⑤	Balls	
⑥	Damper Case	POM
⑦	Shaft	Stainless Steel (SUS303)
⑧	Spring	Stainless Steel (SUS304)



Sold in pairs

Part No.	Slide Length	Travel Length	A	B	C	D	E	F	G	H	Load Capacity (per pair)	
GESR4670-12	300	265	-	-	-	174	145	-	-	-	157 N	16 kg
GESR4670-14	350	340	-	-	-	224	151	-	-	-		
GESR4670-16	400	400	96	-	-	256	167	-	-	-	196 N	20 kg
GESR4670-18	450	450	128	-	-	306	-	215	-	-		
GESR4670-20	500	500	96	160	-	344	119	279	311	-	343 N	35 kg
GESR4670-22	550	550				394						
GESR4670-24	600	600	192	375	407							
GESR4670-26	650	650	128	224	416	494	215	311	407			
GESR4670-28	700	700	-	-	480	544	-	343	471	-		